



## Models A1-A5

### Water valve - Type A

Brass samovar water valves

#### Construction

**Body:** Brass

**Cone:** Brass

**Tube:** Brass

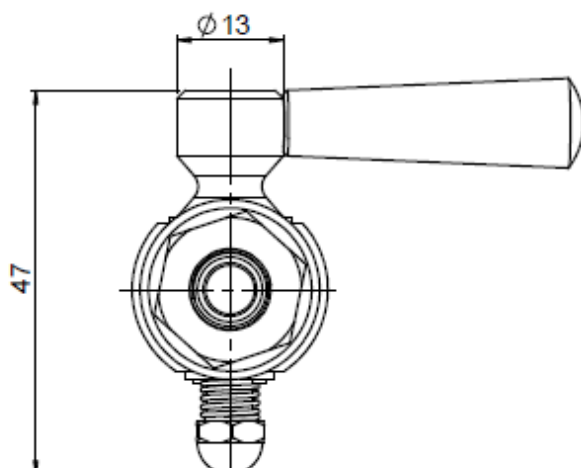
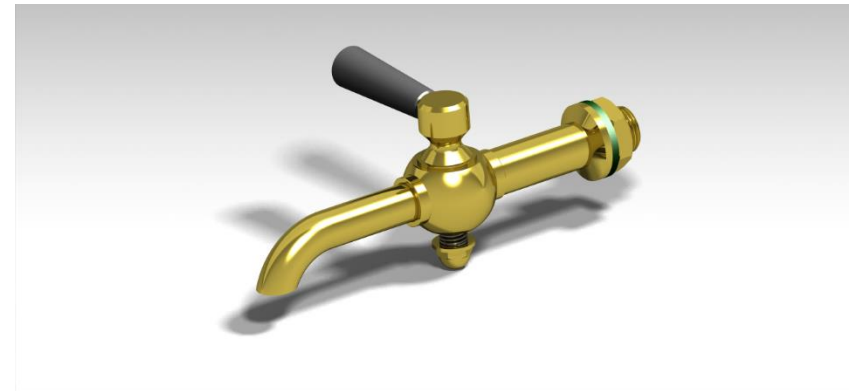
#### Connections

**Standard Inlet:** M10×1 / M12×1 male

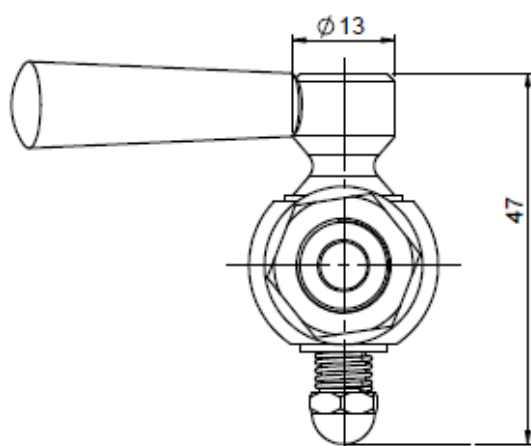
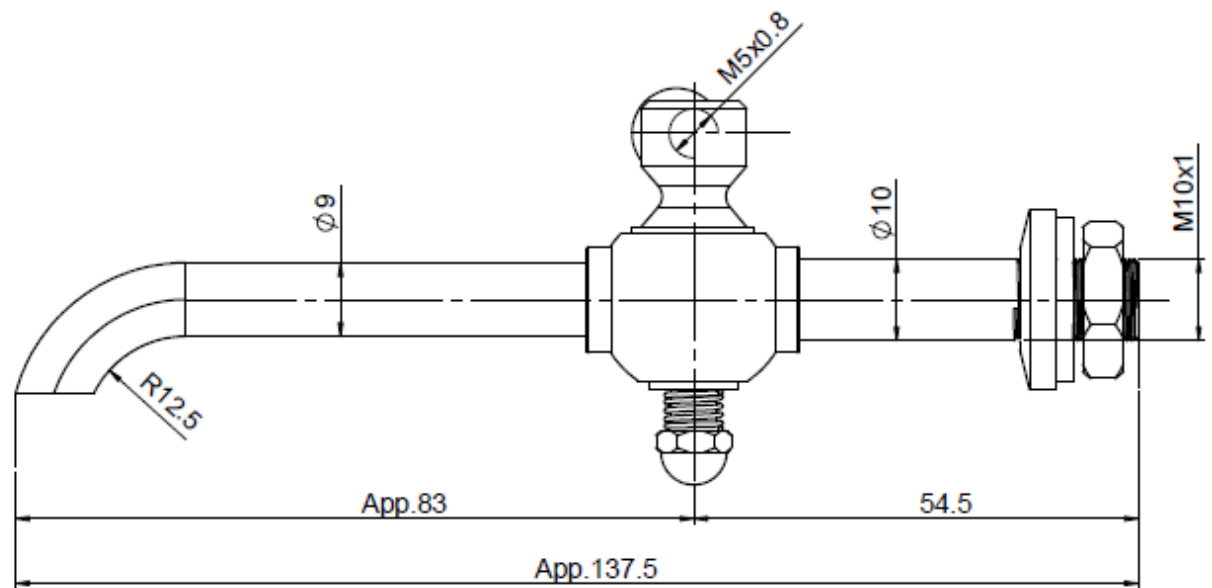
#### Installation

**Maximum inlet torque:** 14 Nm / 15 Nm.

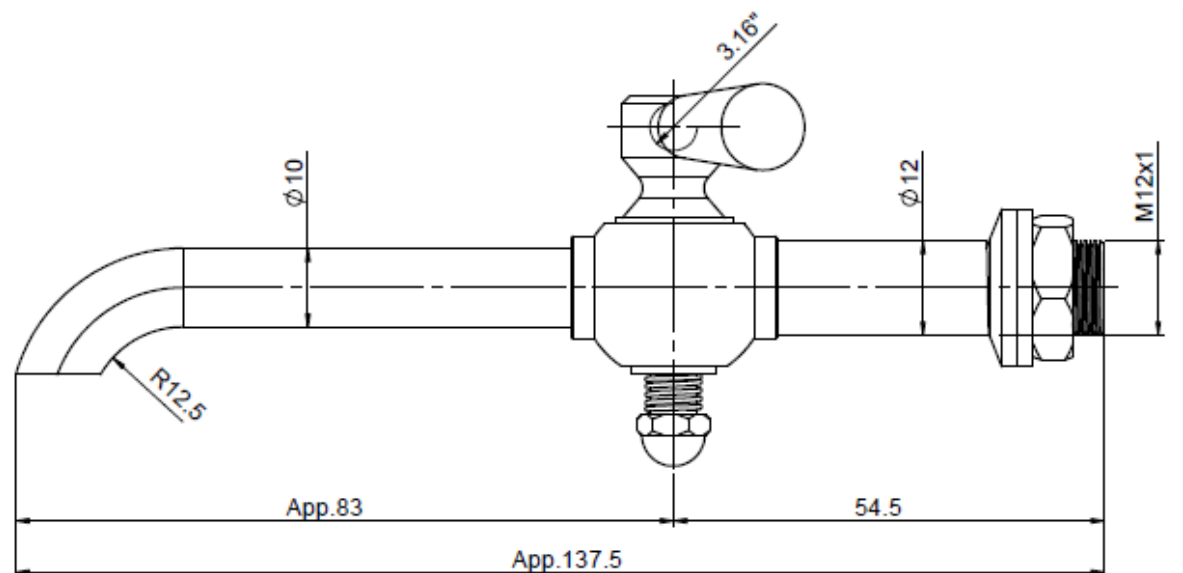
#### Overall dimensions



Model: A1

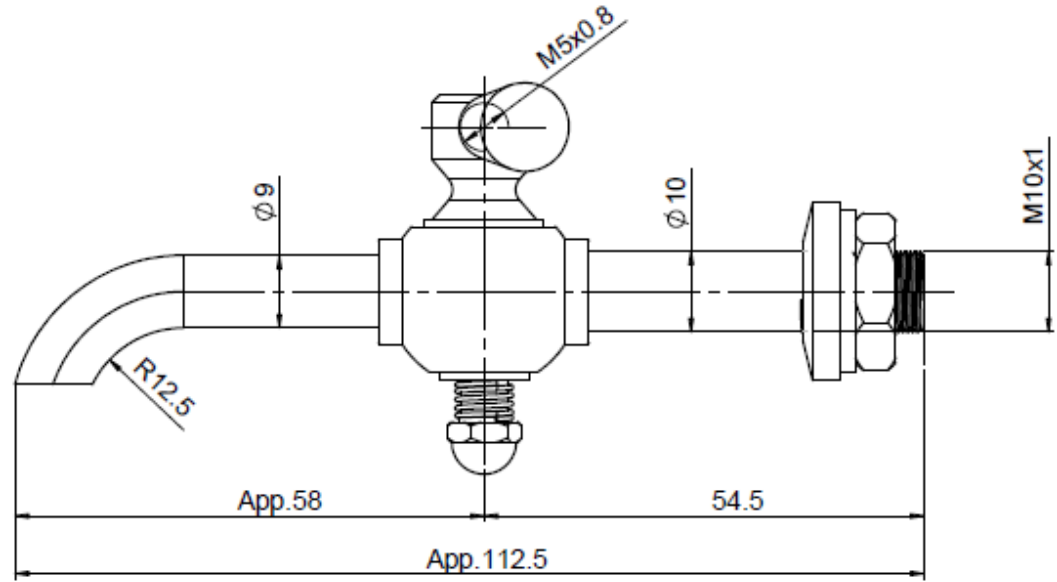
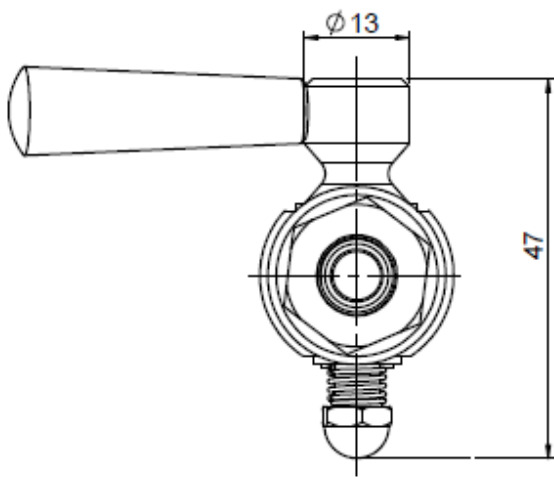
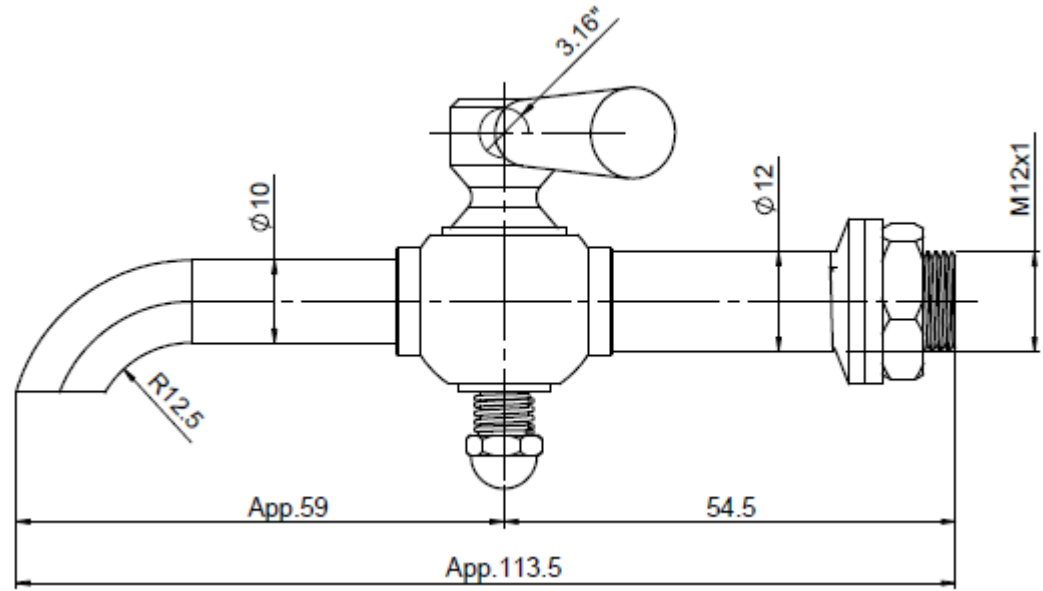
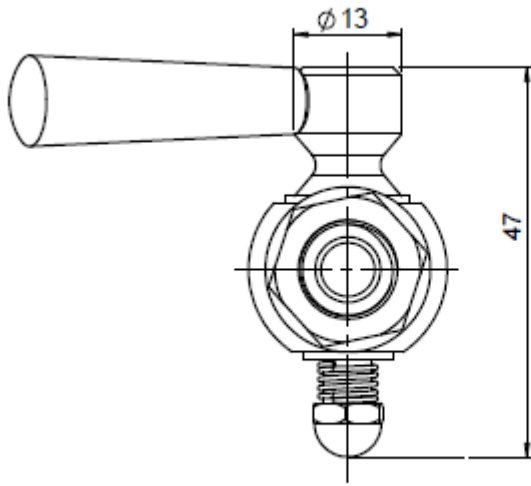


Model: A2

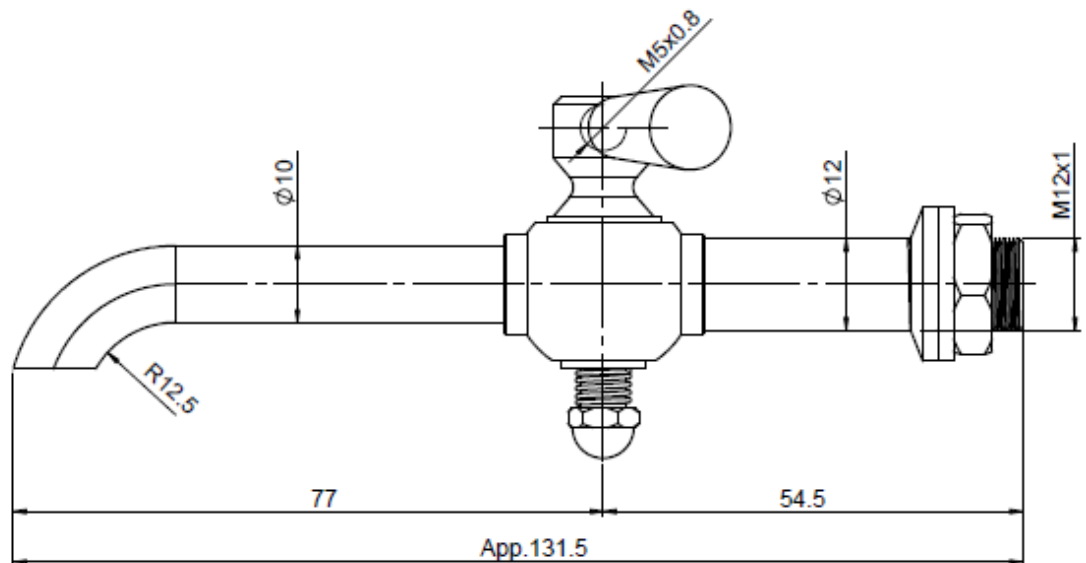
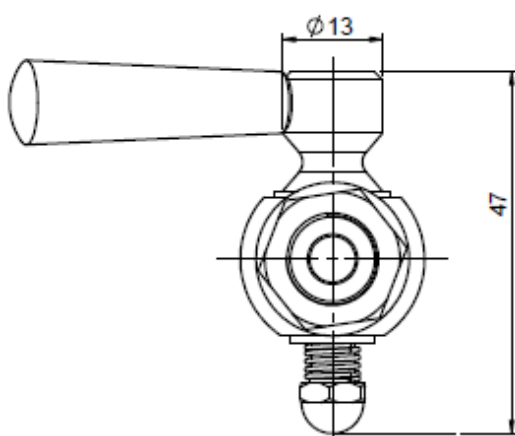




**PARS SHIR Mfg. Co.**  
Technology & safety



Model: A4



Model: A5