



# PARS SHIR Mfg. Co.

Technology & safety

## Model

### Thermostatic Valve – Type 1

Two outlets thermostatic with safety device

#### Construction

**Body:** Forged brass

**Cone:** Brass

**Cap:** Die cast aluminium alloy

**Spindle:** Brass

#### Connections

**Standard Inlet:** Round 16 mm. diameter

**Standard Outlet:** M13×1 male (Model 1) – 1 / 4 gas male (Model 2) – M13×1 female (Model 3)

**Spindle dimension:** 8×6.5mm.

Shape according to customer's request

#### Functional data

**Maximum working temperature:** 100°C

**Maximum working pressure:** 50 mbar

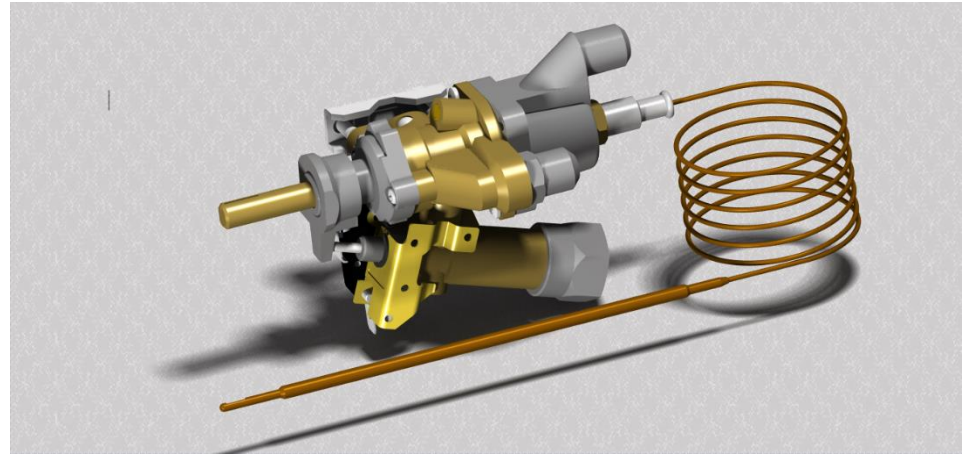
**Flow:** 470 l/h oven outlet – 380 l/h grill outlet

**Internal leak tightness:** < 20 cc/h

**Stroke:** 5 mm.

**Temperature setting range (from – to):** 120°C - 270°C

#### Overall dimensions



#### Brass

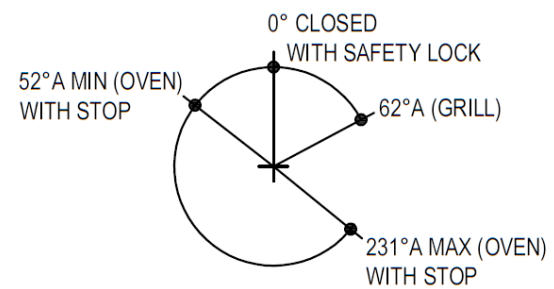
#### Installation

**Maximum inlet torque:** 1.5 Nm.

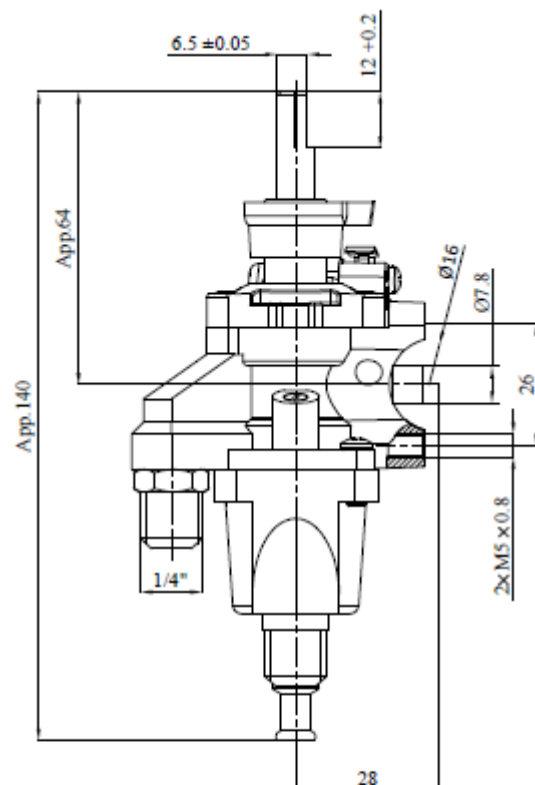
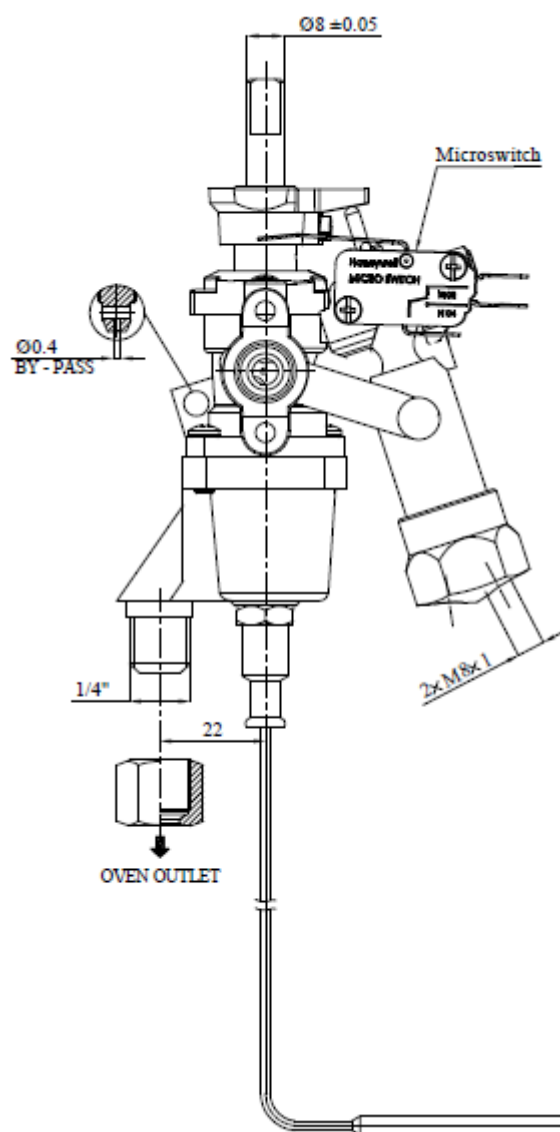
**Maximum outlet torque:** 15 Nm.

**Maximum M8x1 thermocouple torque:** 4 Nm.

#### Spindle rotation diagram

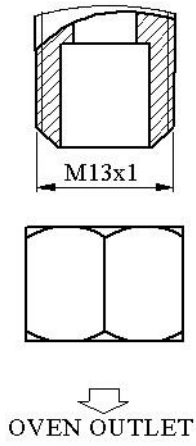


#### Operation Sequence

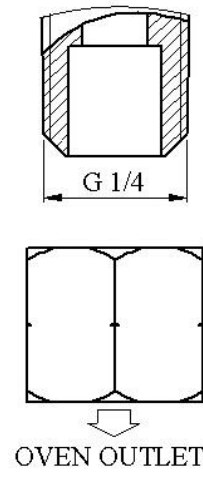




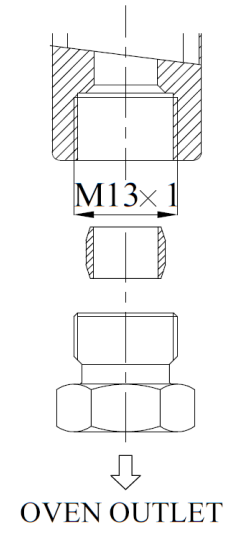
Outlet nuts according to customer's request



**1**



**2**



**3**

Outlet		
1	Type 1	M13x1
2	Type 2	G1/4
3	Type 3	M13x1