



## Title

## Orifice

Construction

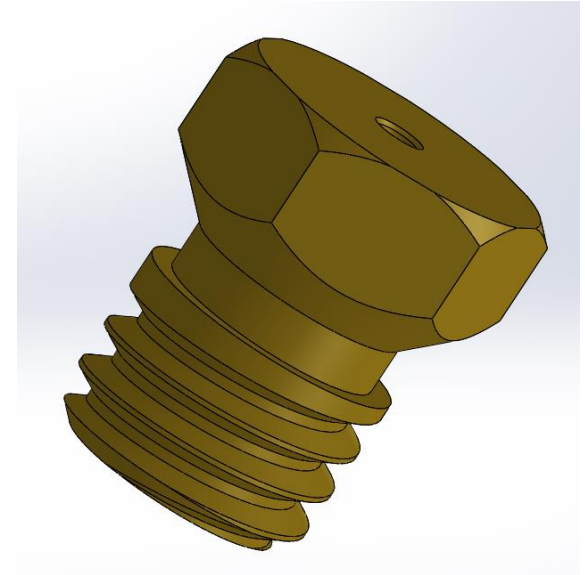
**Orifice:** Brass

Connections

**Standard Inlet:** M6x0.75 male

Installation

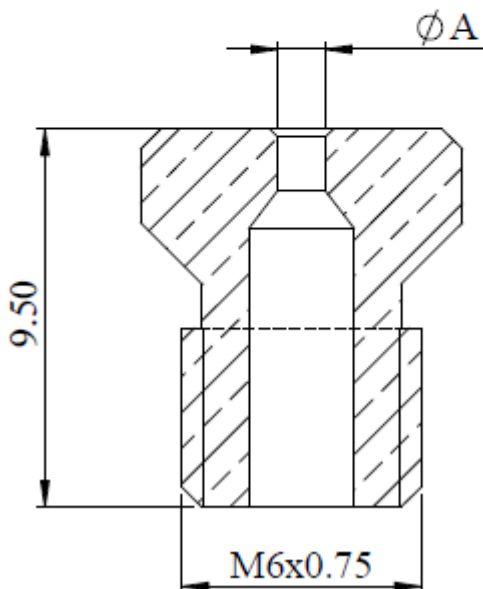
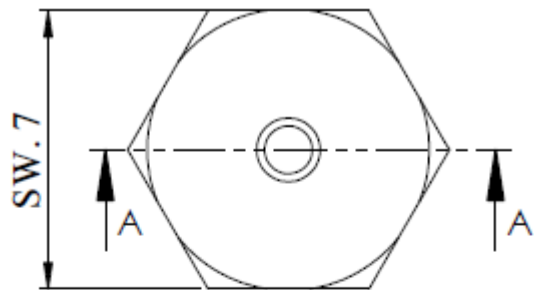
**Maximum torque:** 4 Nm.



Orifices are responsible for the amount of gas that flows into burners. Pars Shir produce orifices in various hole size (according to customer request) as they determine the gas type either propane or natural gas.

The reason for hole size difference is because natural gas orifices are larger than propane gas orifices strictly because of gas service pressure.

Overall dimensions



| $\phi A$                     |                              |
|------------------------------|------------------------------|
| Orifice size for Natural Gas | Orifice size for Propane Gas |
| 90                           | 65                           |
| 100                          | 75                           |
| 110                          | 80                           |
| 120                          | 85                           |
| 130                          | 90                           |
| 135                          | 105                          |
| 140                          | 110                          |
| 150                          | 120                          |
| 160                          |                              |
| 180                          |                              |