



PARS SHIR Mfg. Co.

Technology & safety

Model

Space heater valve - Type F

Brass gas taps with safety device

Construction

Body: Forged brass

Cone: Brass

Spindle: Brass

Connections

Standard Inlet: 1 / 4 gas or 1 / 4 BSPT male

Standard Outlet: 1 / 4 gas or 1 / 4 BSPT male

Spindle dimension: According to customer's request

Functional data

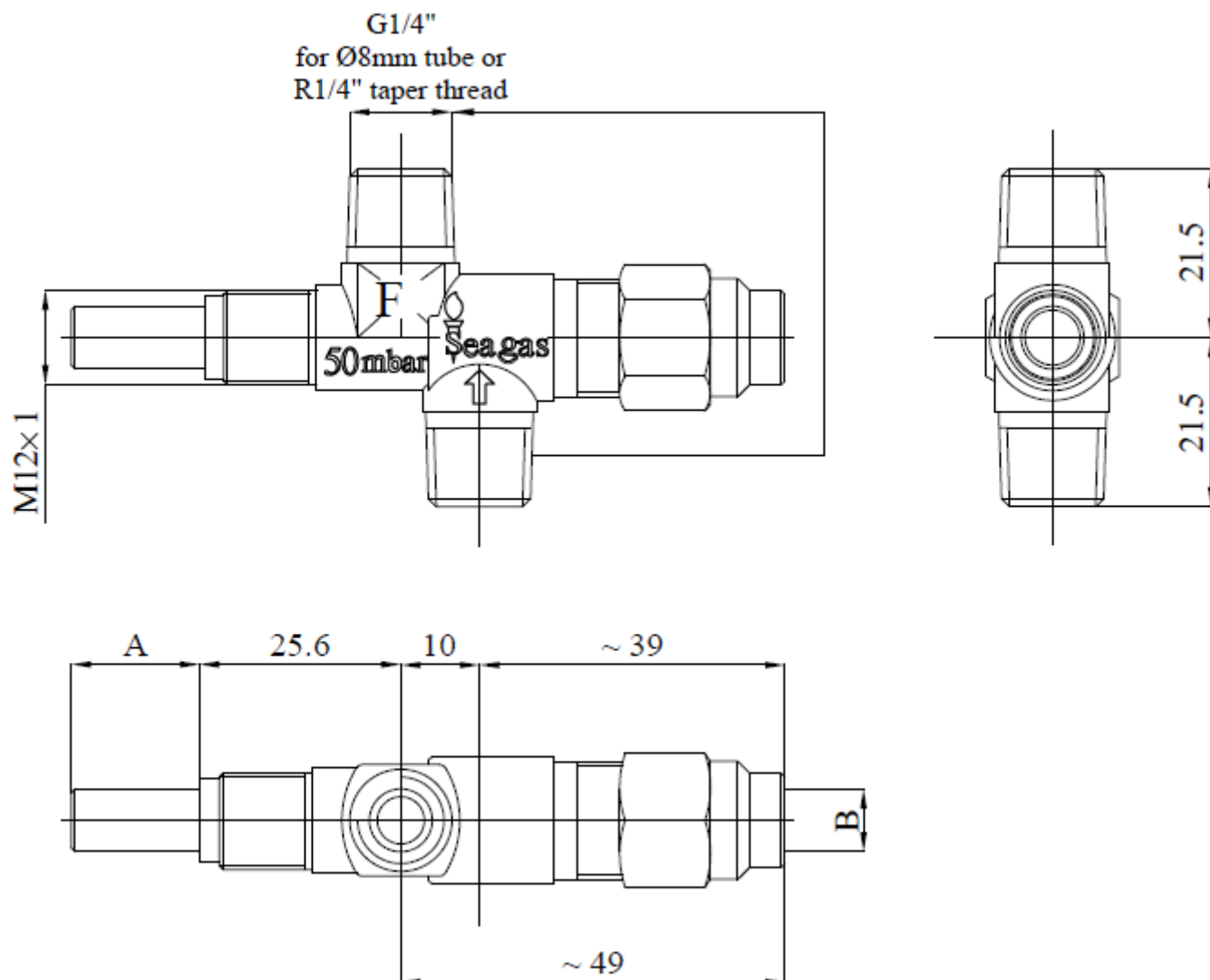
Maximum working temperature: 100°C

Maximum working pressure: 50 mbar

Flow: 560 l/h

Internal leak tightness: < 20 cc/h (at 150 mbar)

Overall dimensions



A & B: according to customer request.



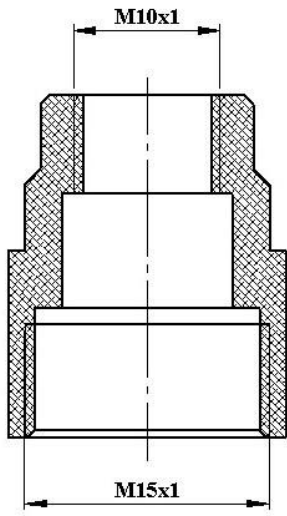
Brass

Installation

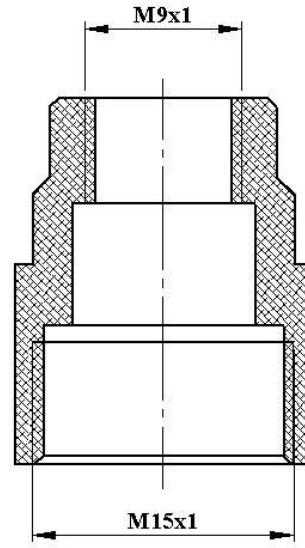
Maximum inlet torque: 15 Nm.

Maximum outlet torque: 15 Nm.

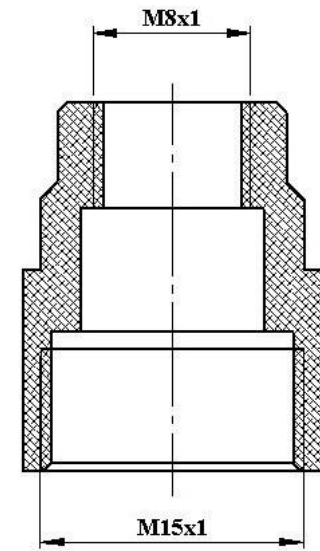
Maximum thermocouple torque for different thread size: 4 Nm.



1



2



3

Magnet nut		
1	Type 1	M10x1
2	Type 2	M9x1
3	Type 3	M8x1