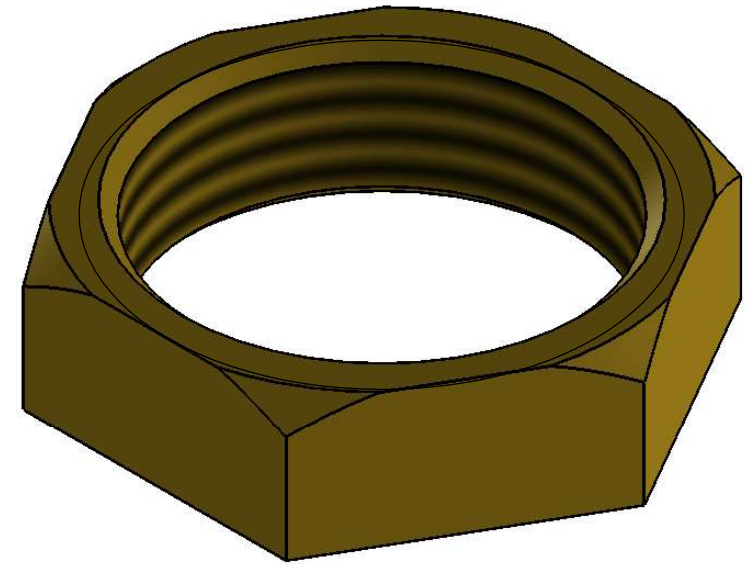
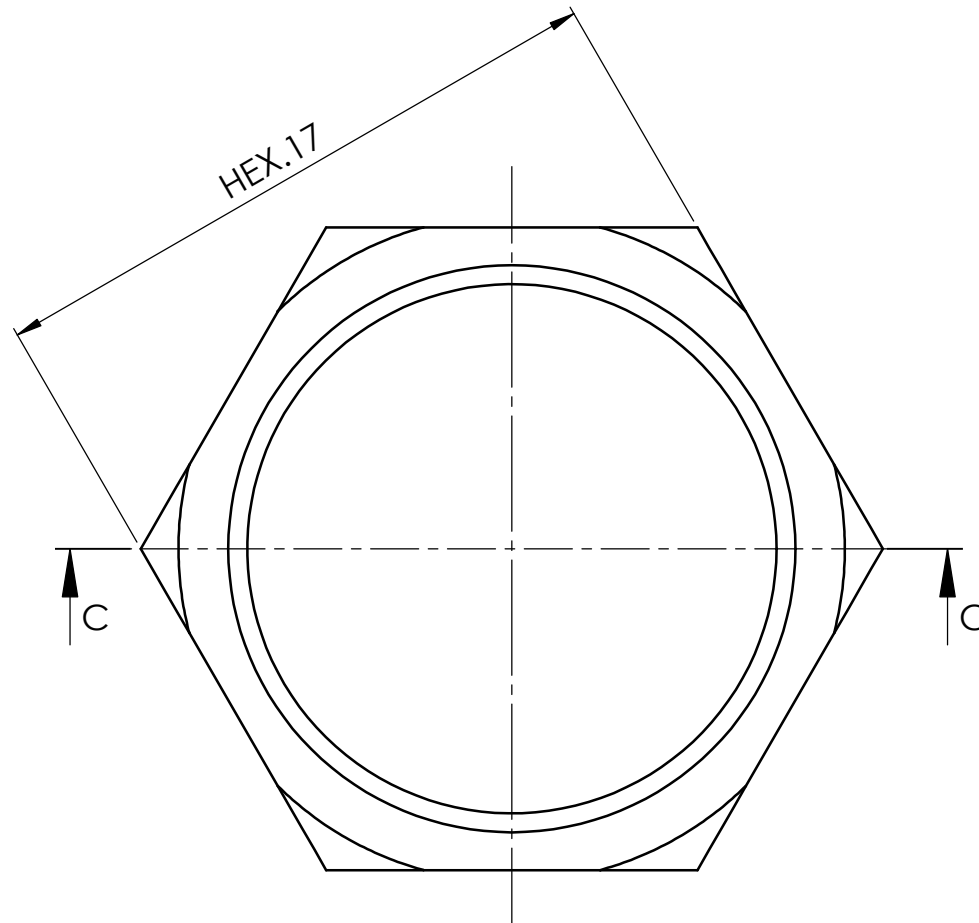




SECTION C-C
SCALE 5 : 1



TITLE	NAME	SIGNATURE	DATE	 PARS - SHIR	
DRAWN	Mardaneh		98/04/18		
CONTROL	Paykari				
CHECK	Farahani				
APPROVE	Seddigh			MATERIAL: MS.58 OPC. Final SIZE: A4	
TOLLERANCE: DIN7168(m)		350 35 00			
 UNIT: m.m		SHEET 1 OF 1	REVISION: 4	SCALE: 5/1	